

The logo for NTEST, featuring the word "NTEST" in a bold, white, sans-serif font. Above the letter "N" are three horizontal white lines of varying lengths, suggesting a signal or data flow. The logo is positioned in the upper left corner of the slide.

NTEST

FiberWatch™

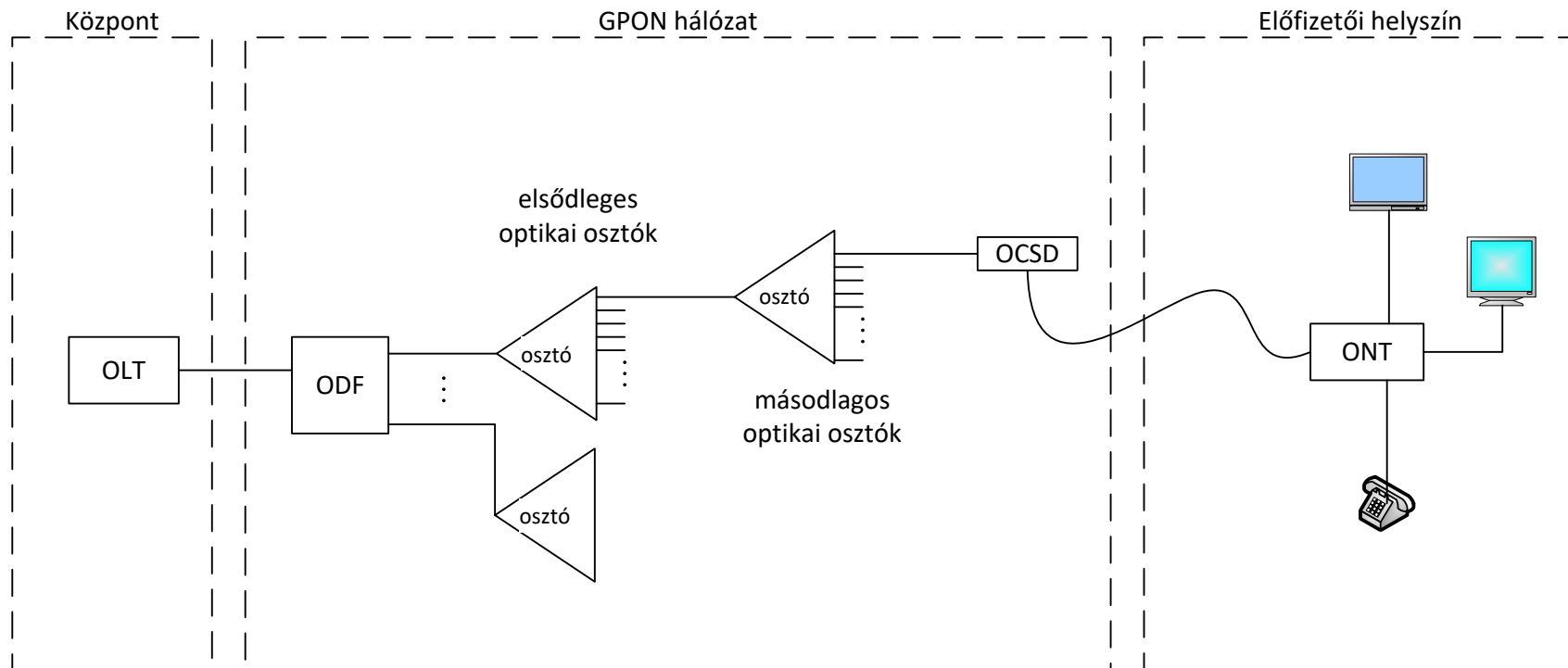
Remote Fiber Test & Surveillance (RFTS)

Folyamatos Hálózat Monitorozás

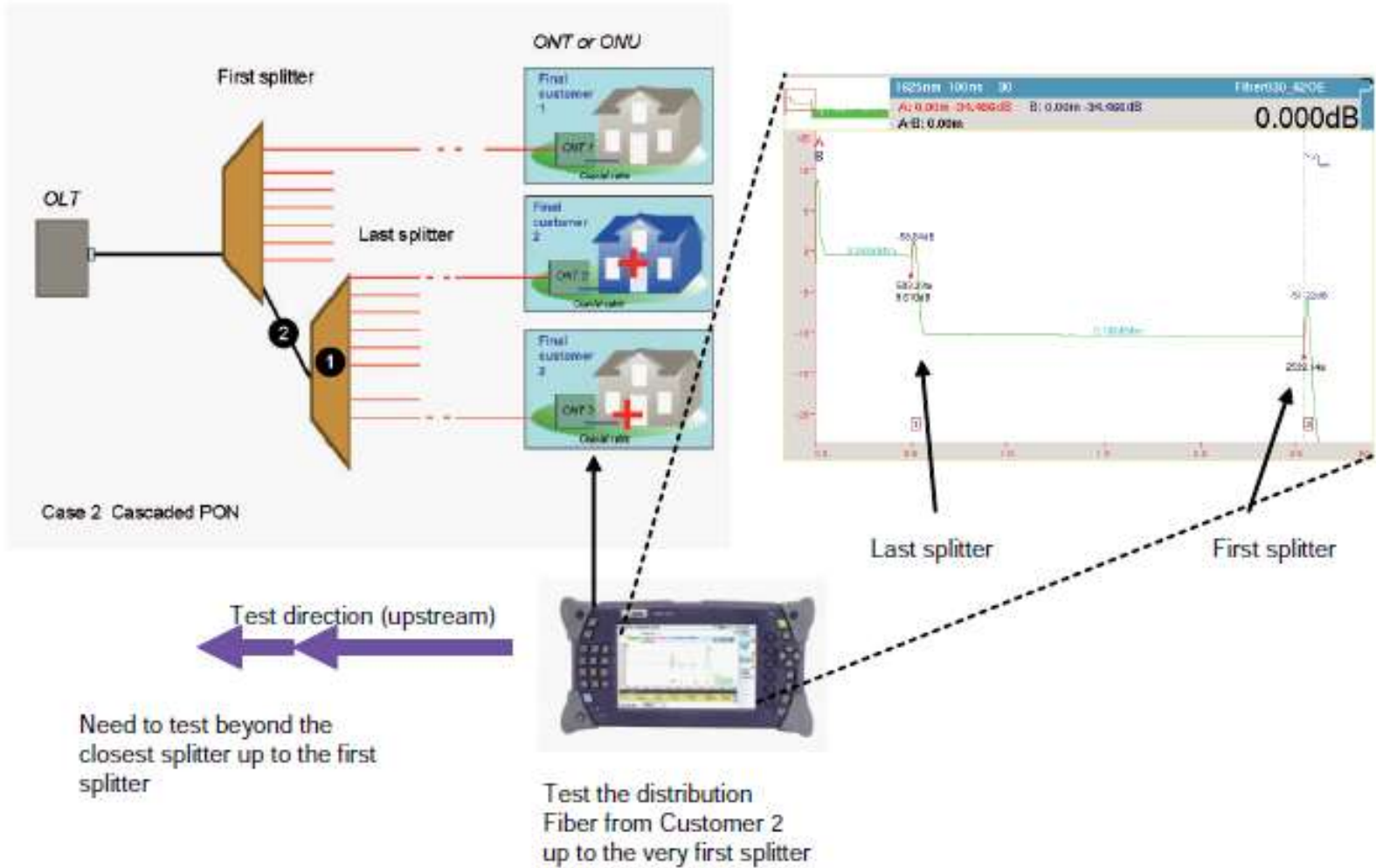
PON Monitorozás



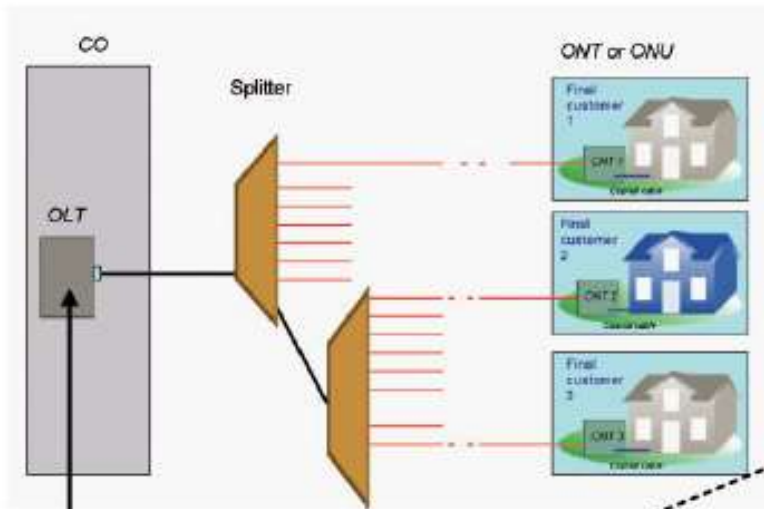
PON hálózat



PON OTDR mérés



PON OTDR mérés



Test direction (downstream) →

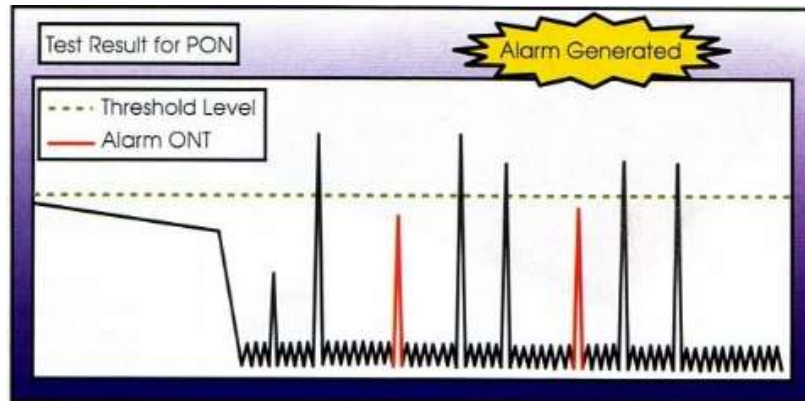
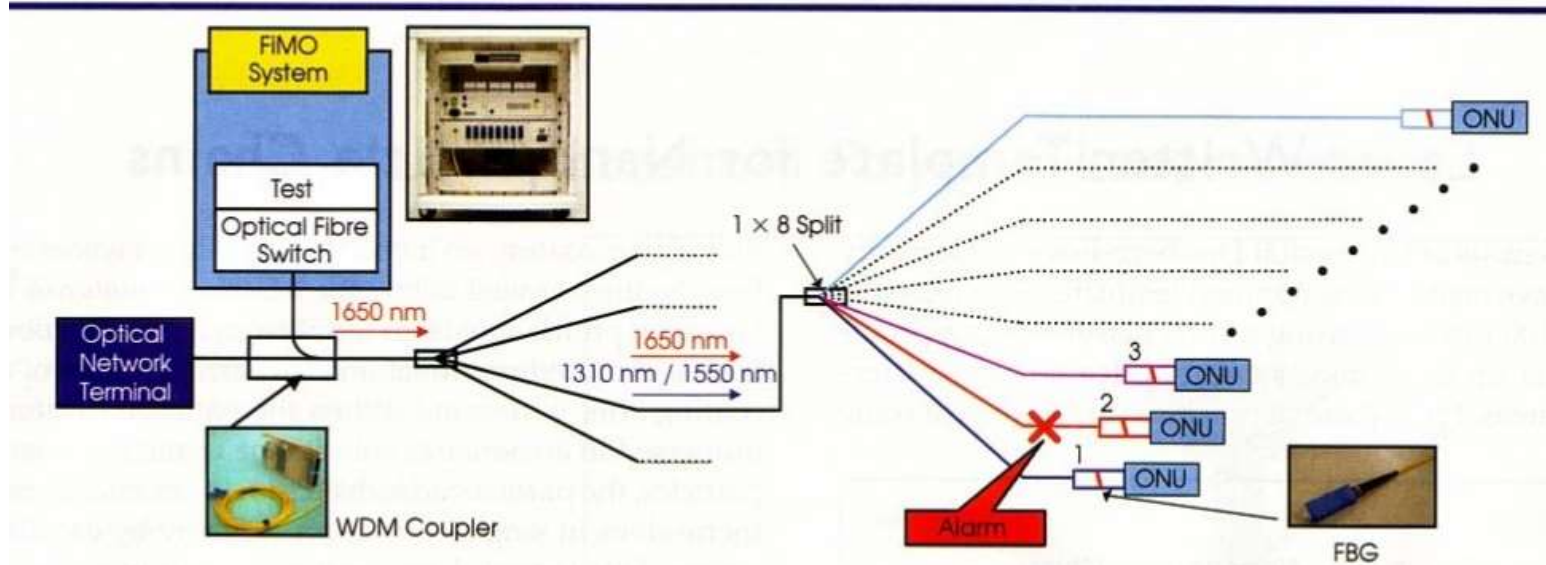


Shoot downstream from the feeder

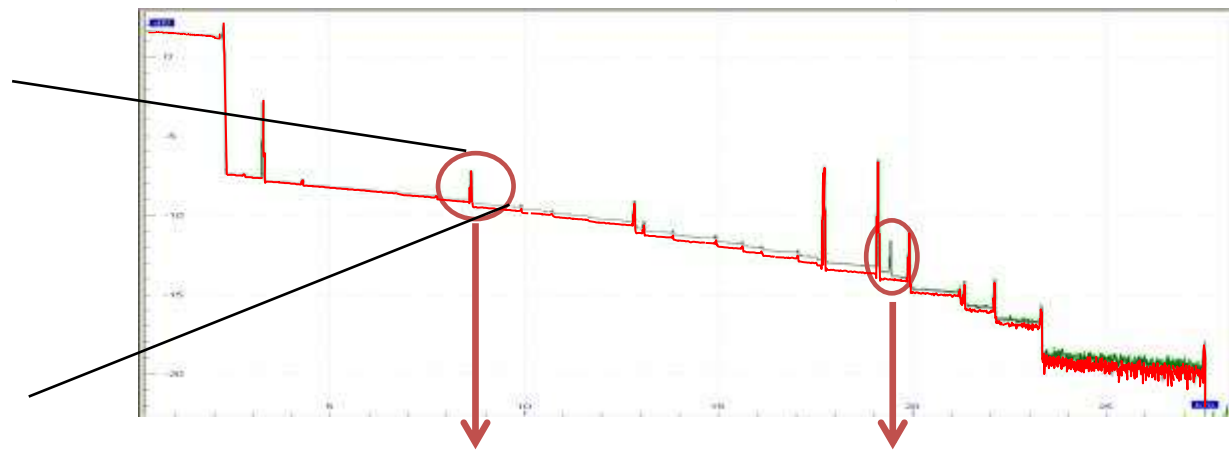
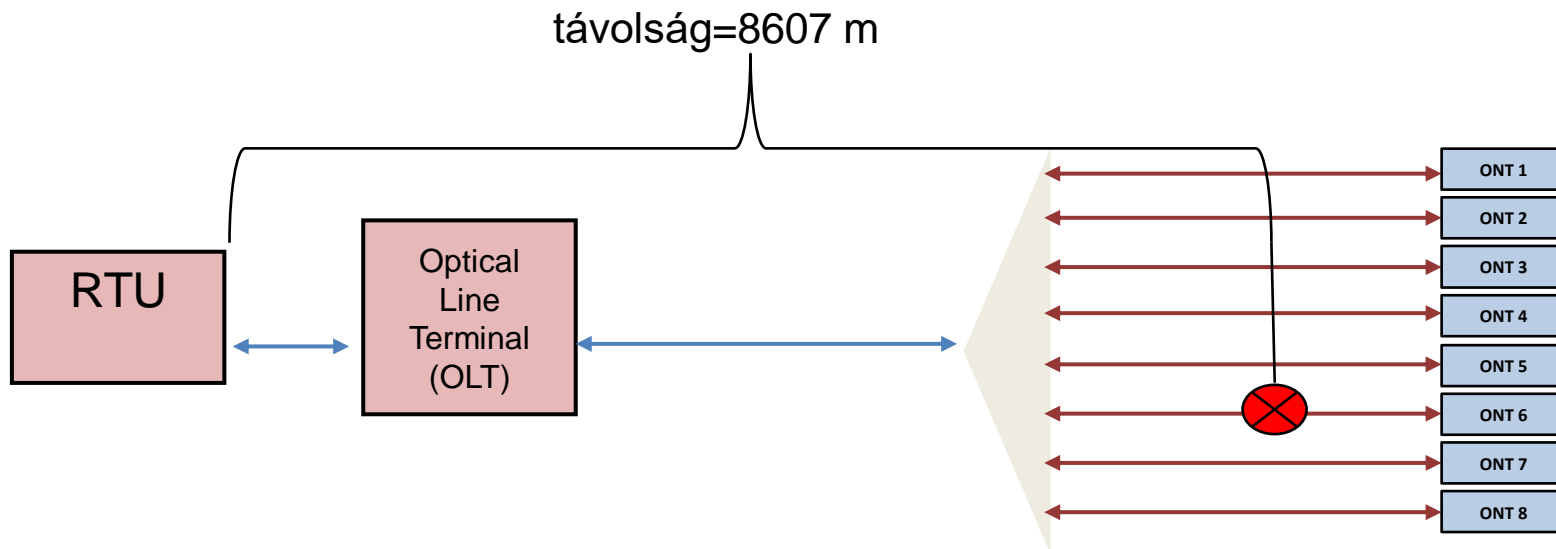
All splitters & ONTs can be seen

The OTDR trace shows all events, including the first splitter 1*8, some end of fibers, the second splitter 1*4...

Régi módszer



szálszakadás

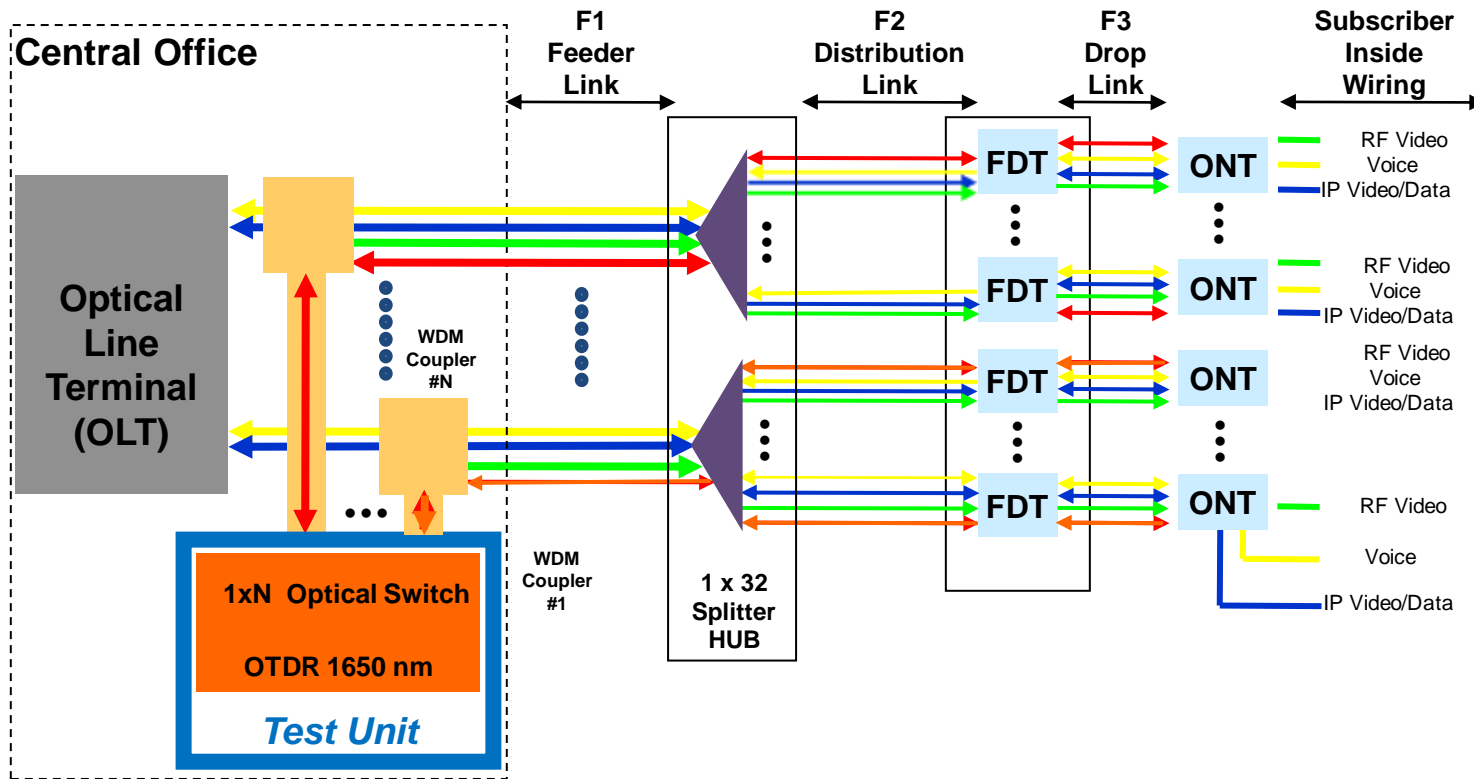


Eltérés kezdete
8607 m

ONT #6 eltűnik

Az elemző algoritmus meghatározza, hogy melyik az érintett ONT és hol található a hibahely

Rendszer felépítés



Kezelő felület

The screenshot displays the FiberWatch v5.1.0 interface. On the left, a tree view shows the network hierarchy under 'PON Domán', with an 'Alarm' indicator pointing to a specific element. The main window features a trace plot of optical power (dB) versus distance (km). Two events are highlighted: a 'Fiber Cut (new event)' at 7.675 km and a 'Missing ONT (event missing)' at 7.726 km. Below the plot is a table of 'Optical Events' for 'PON Demonstration (28 Markers)'. The table is divided into 'Reference' and 'Current' columns, with annotations pointing to specific rows.

Reference						Current					
Event	Position	Width	Loss	Fron Splitter		Event	Position	Width	Loss	Δ Pos	
1	3,028.57		8.71	1142	0.00	1		2.31	0.00	0	
2	3,027.96		3.03	0	5.35	2		10.88	3.95	343	-0.14
3	3,051.92		5.31	0	22.45	3		10.87	5.12	1799	0
4	3,058.40		4.76	0	28.03	4		22.59	4.76	0	-0.14
5	3,061.43		24.35	0	33.06	5		1,523.47	5.85	225	—
6	3,108.03		8.71	8992	79.46	6		3,028.43	8.03	9155	-0.14
7	3,131.29		21.83	0	103.72	7		3,051.16	5.31	0	0.14
8	3,139.51		8.17	0	282.34	8		3,056.60	4.76	0	—
9	3,139.19		3.49	0	303.80	9		3,061.50	24.08	0	-0.14
10	5,960.88		19.25	0	2,032.11	10		3,108.03	2.58	0	—
11	7,751.43		6.53	0	4,722.88	11		3,121.42	20.41	0	0.14
12	10,671.16		11.84	0	7,642.59	12		3,131.47	0.56	0	-0.14
13	12,393.20		2.45	0	9,364.63	13		3,136.21	5.75	0	-0.14
14	13,586.40		22.04	0	10,357.82	14		3,176.47	19.05	1036	0.14
15	17,999.73		0.00	-3060	14,871.16	15		3,176.47	0.00	0	—
16	18,952.45		3.30	0	15,943.26	16		3,176.47	0.00	0	—
17	20,674.83		4.22	0	17,846.26	17		3,176.47	0.00	0	-0.14

Köszönöm a figyelmet!